

Peak Sensitivity Wavelength: 525nm

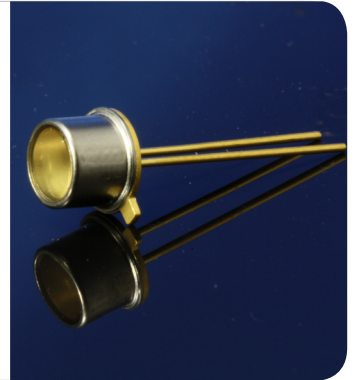
Visible Photo Diode enhanced for the Blue/Green Spectrum

FEATURES

- > Chip Active Area 0.57mm²
- > Hermetically Sealed TO-18
- > Gold Plated Flat Top Can
- > High Reliability
- > Wide Angular Response

APPLICATIONS

- > Optical Analytics
- > Optical Switches
- > Light Barriers
- > Currency Validation



Absolute Maximum Ratings (Ta=25°C)



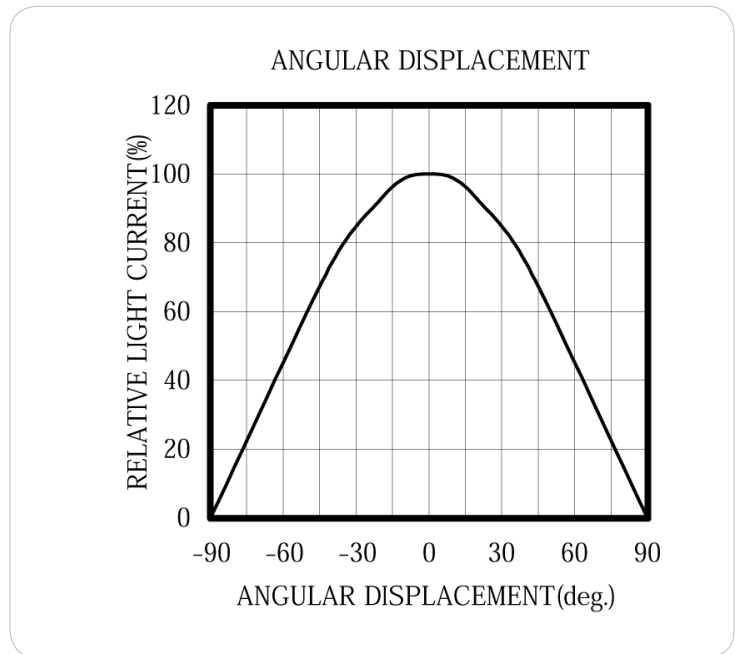
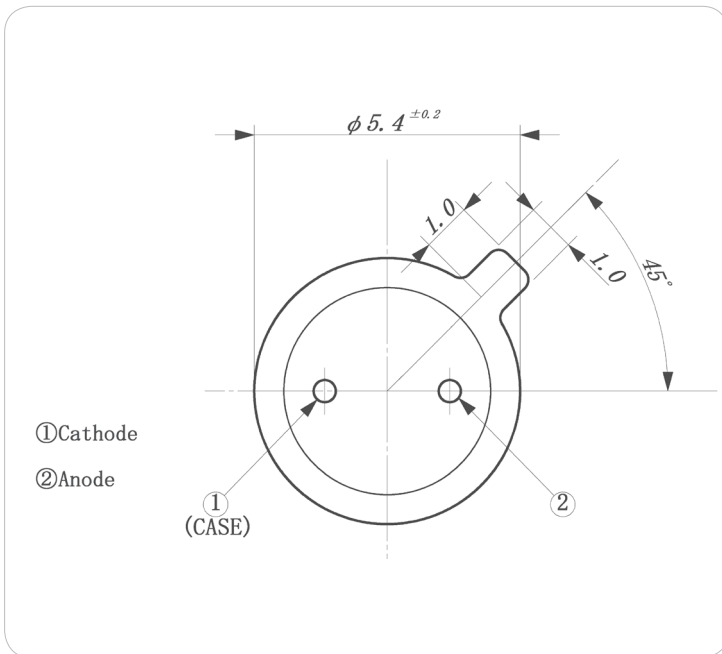
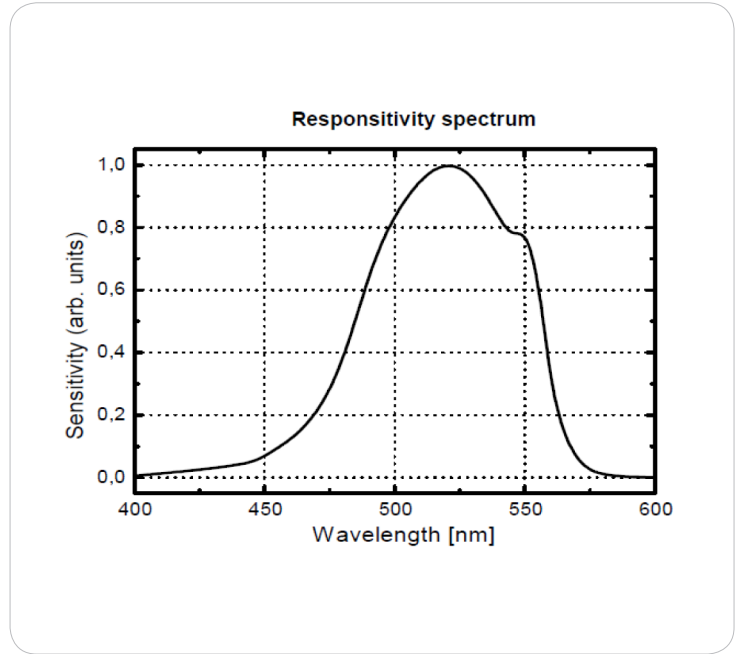
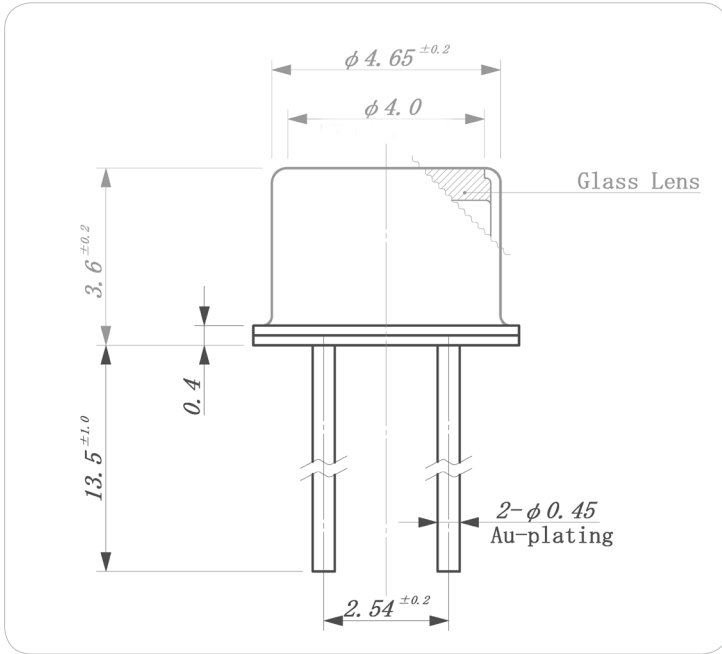
ITEMS	SYMBOL	RATINGS	UNIT
Reverse Voltage	VR	5	V
Operating Temperature Range	ToPr	-20 ~ +85	°C
Storage Temperature Range	Tstg	-30 ~ +100	°C
Lead Soldering Temperature	Tls	260	°C

*1: Time 5 Sec max, Position: Up to 3mm from the body.

Electrical & Optical Characteristics (Ta = 25°C)

ITEMS	SYMBOL	CONDITIONS	MIN	TYP	MAX	UNIT
Light Current	IL	*1	2.5	4.0	--	μA
Dark Current	ID	VR=5V	--	5	30	pA
Spectral Sensitivity	λ	--	--	410--580	--	nm
Peak Sensitivity Wavelength	λp	--	--	525	--	nm
Responsivity	S	*2	--	0.3	--	A/W
Angular Response	θ	--	--	±55	--	deg
Switching Time	Tr, Tf	Vr=5V, RL=50Ω	--	1/60	--	ns
Junction Capacitance	Cj	VR=5V	--	500-700	--	pF

*1: VR=5V, λ=525nm, Ee=1mW/cm², *2: VR=0V, λ=525nm.



Unit: mm, Tolerance: ± 0.2

The information contained herein is subject to change without notice.

2021-03-29