

Peak Sensitivity Wavelength: 900nm

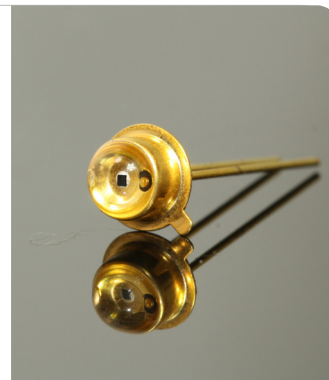
The MTD3010PM is a photo diode in a TO-18 low profile metal can domed package. It is well suited for high reliability and high speed applications.

FEATURES

- > Linearity of Ee vs IL
- > Low Dark Current
- > Wide Angular Response
- > Active Area: 1.21mm²

APPLICATIONS

- > Optical Switches
- > Edge Sensing
- > Fiber Optical Communications
- > Smoke Detectors



Absolute Maximum Ratings (Ta=25°C)



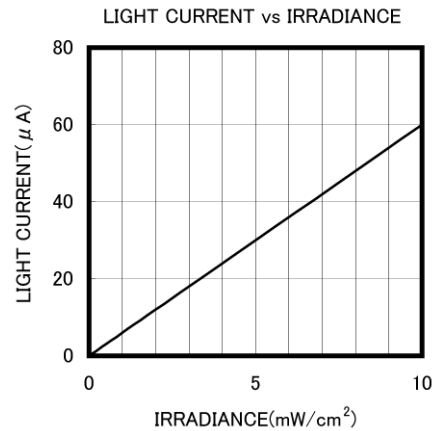
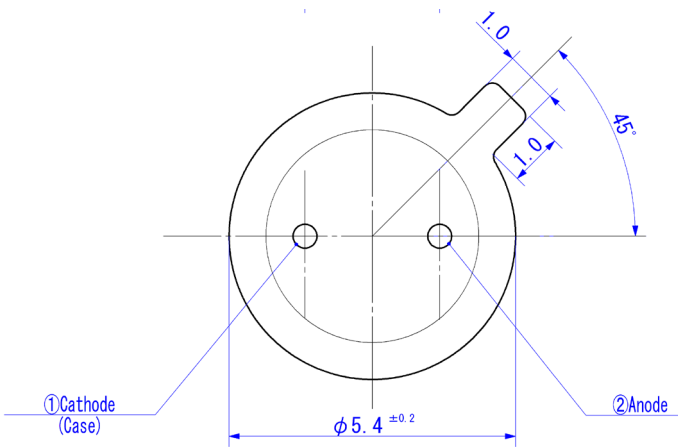
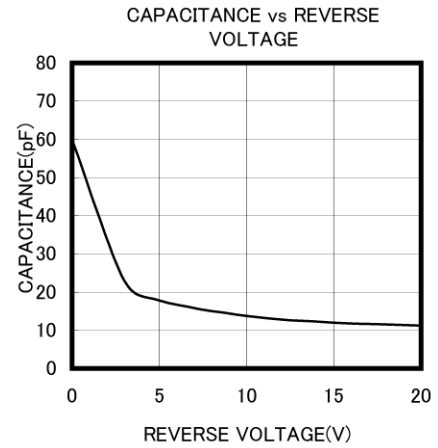
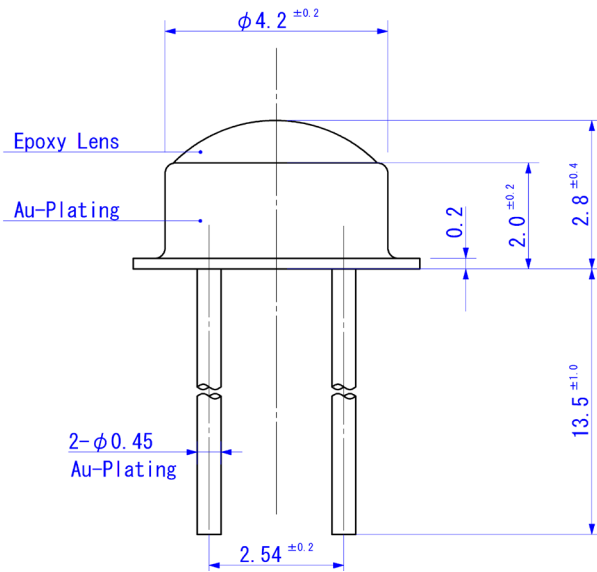
ITEMS	SYMBOL	RATINGS	UNIT
Reverse Voltage	VR	30	V
Power Dissipation	PD	100	mW
Operating Temperature Range	Topt	-30 ~ +100	°C
Storage Temperature Range	Tstg	-40 ~ +125	°C
Junction Temperature	Tj	125	°C
Lead Soldering Temperature*1	Tls	260	°C

*1: Time 5 Sec max, Position: Up to 3mm from the body.

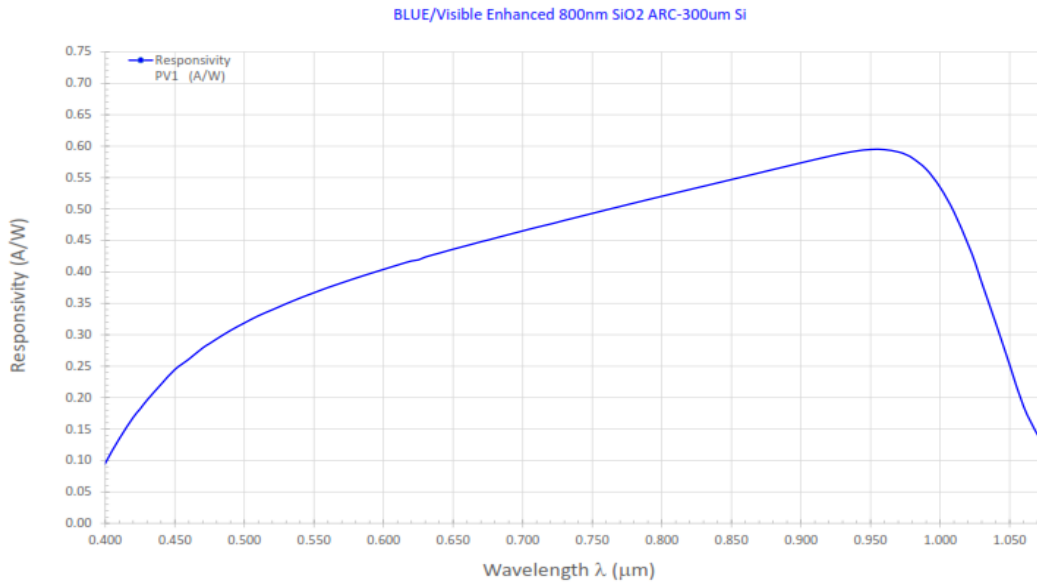
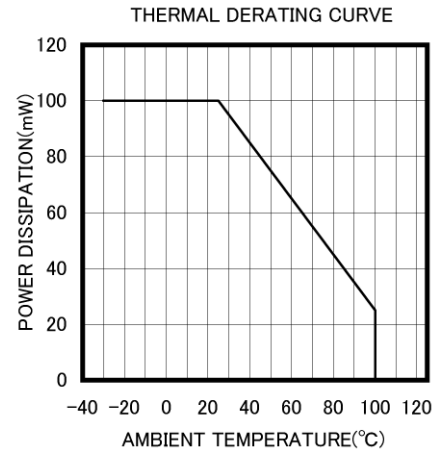
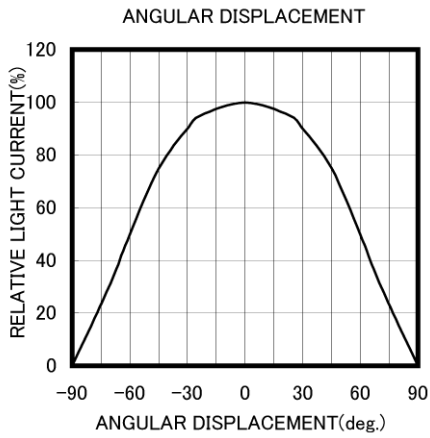
Electrical & Optical Characteristics (Ta = 25°C)

ITEMS	SYMBOL	CONDITIONS	MIN	TYP	MAX	UNIT
Open Circuit Voltage	Voc	Ee=5mW/cm ² *1	0.35	--	--	V
Light Current	IL	*1, *2	--	30	--	μA
Dark Current	ID	VR=10V	--	--	10	nA
Curve Factor	CF	Ee=5mW/cm ² *1	0.55	--	--	--
Spectral Sensitivity	λ	--	--	400~1100	--	nm
Peak Sensitivity Wavelength	λp	--	--	900	--	nm
Responsivity	Rt	VR=0V, λ=450nm	--	0.18	--	A/W
Responsivity	Rt	VR=0V, λ=900nm	--	0.58	--	A/W
Angular Response	Θ	--	--	±60	--	deg
Junction Capacitance	Cj	VR=2.5V, f=1MHz	--	6	12	pF

*1: Color Temperature=2870°K Standard Tungsten Lamp, *2: VR=10V, Ee=5mW/cm².



Unit: mm, Tolerance: ± 0.2



The information contained herein is subject to change without notice.

2020-10-27