



3Northway Lane North Latham, New York 12110.

Tollfree:1.800.984.5337

Phone:1.518.956.2980

Fax:1.518.785.4725

Http://www.marktechopto.com

SPECIFICATION

PART NO. : MTBL3V11-UYG

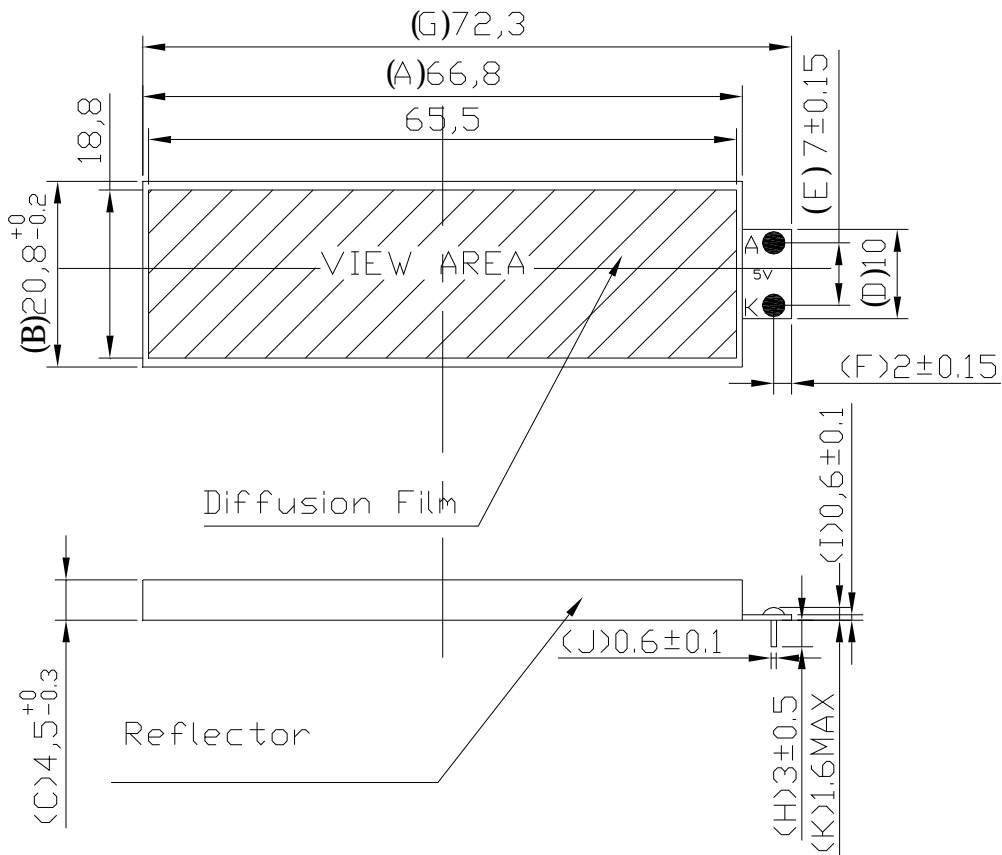
LED BACKLIGHT



ATTENTION

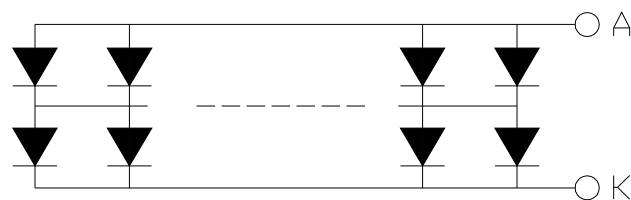
**OBSERVE PRECAUTION
FOR HANDLING
ELECTRO STATIC
SENSITIVE
DEVICES**

Dimensions



1. All dimensions are in millimeters..
2. Tolerance is ± 0.30 mm unless otherwise noted.

Internal Circuit Diagram



LED NUMBERS: 2X12=24
A: ANODE / K: CATHODE

Description

Part No.	LED Chip	
	Material	Emitting Color
MTBL3V11-UYG	GaP	Yellow Green

Absolute Maximum Ratings at Ta=25 °C

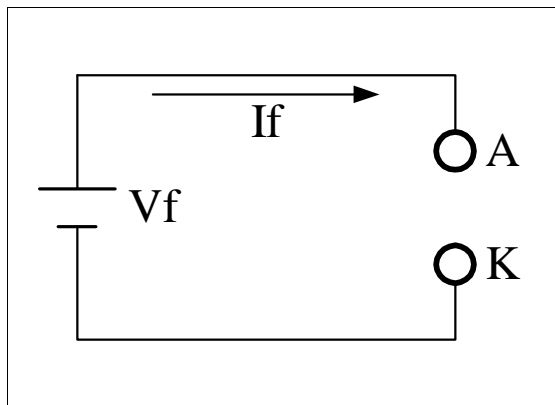
Parameter	Symbol	Rating	Unit
Power Dissipation	P _D	1.152	W
Pulse Current(1/10Duty Cycle,0.1ms Pulse Width.)	I _{FP}	100	mA
Forward Current	I _F	240	mA
Reverse (Leakage)Current	I _r	0.12	mA
Reverse Voltage	V _R	10	V
Operating Temperature Range	T _{opr.}	-20 to +70	°C
Storage Temperature Range	T _{stg.}	-30 to +80	°C
Lead Soldering Temp.(1.6mm from seating plane)		320 for 3s MAX.	°C

Electrical and Optical Characteristics:

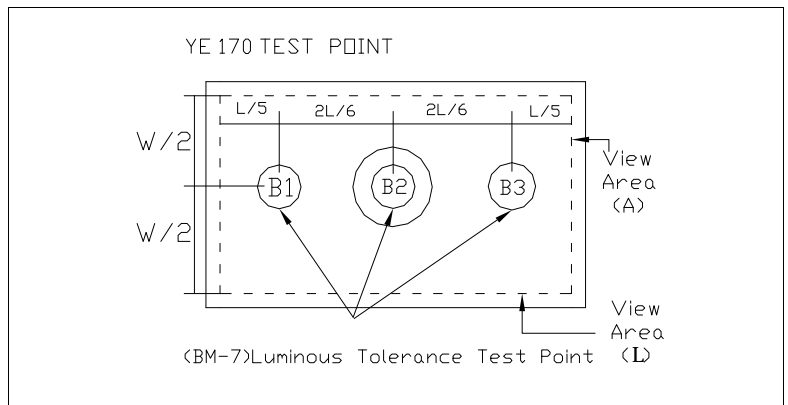
Parameter	Symbol	Condition	Min.	Typ.	Max.	Unit
Luminous Intensity	Iv	If=120mA	130	185	300	cd/m ²
Forward Voltage	Vf	If=120mA	3.6	4	4.8	V
Luminous Tolerance	-	If=120mA	75	-	-	%
Peak Wavelength	λP	If=20mA/per chip	567	570	573	nm
Spectrum Line Halfwidth	Δλ	If=20mA/per chip	-	30	-	nm
Reverse Current Per chip (Leakage Current Per Chip)	Ir	Vf=10V	-	-	0.12	mA
Chromaticity Coordinates	x	If=120mA	0.40	0.43	0.46	
	y		0.51	0.53	0.56	

Remark

★1. Testing Method



★2. Measured Method



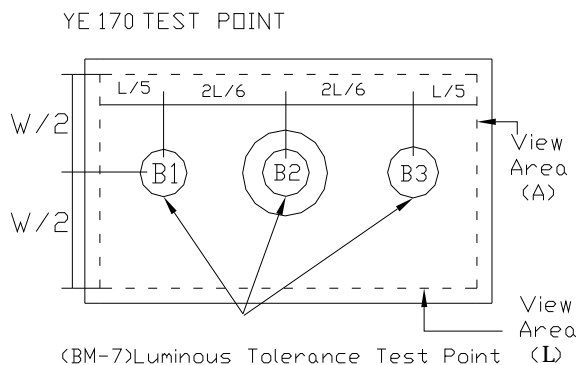
(1) The test equipment is "TOPCON"BM-7 . Field (θ) $\square = 2^\circ$ $\square = 1^\circ$ $\square = 0.2^\circ$

(2)The "TOPCON"BM-7 test position of luminous intensity is B1~B3.

★3. The "TOPCON"BM-7 test

Position of luminous Uniformity =
$$\frac{B(\text{MIN})}{B(\text{MAX})} \times 100\%$$

The test equipment is "TOPCON"BM-7



(1) The test equipment is "TOPCON"BM-7 Field (θ) =1° =0.2° =0.1

NO	If (mA)	VF (V)	Location(CD/m ²)						AVG	Uniormity (%)
			B1	B2	B3	B4	B5	B6		
1	120	4.14	176	195	170				177.3	91
2	120	4.15	195	206	203				201.3	95
3	120	4.15	200	229	210				213.0	87
4	120	4.13	193	210	196				199.7	92
5	120	4.14	201	205	195				200.2	95

(2) Color Coordinate: TOPCON BM-7 , Field (θ) =1° =0.2° =0.1°

Location(X/Y)						
NO	1	2	3	4	5	AVG
X	0.4344	0.4373	0.4356	0.4357	0.4373	0.4361
Y	0.5594	0.5583	0.5568	0.5600	0.5584	0.5596

DISCLAIMER

1. Our department reserves the right(s) on the adjustment of product material mix for the specification.
2. The product meets our department published specification for a period of twelve (12) months from date of shipment.
3. The graphs shown in this datasheet are representing typical data only and do not show guaranteed values.
4. When using this product, please observe the absolute maximum ratings and the instructions for using outlined in these specification sheets. Our department assumes no responsibility for any damage resulting from the use of the product which does not comply with the absolute maximum ratings and the instructions included in these specification sheets.
5. These specification sheets include materials protected under copyright of our department. Reproduction in any form is prohibited without obtaining our department's prior consent.
6. This product is not intended to be used for military, aircraft, automotive, medical, life sustaining or life saving applications or any other application which can result in human injury or death. Please contact authorized our department sales agent for special application request.