

Peak Emission Wavelength: 280nm

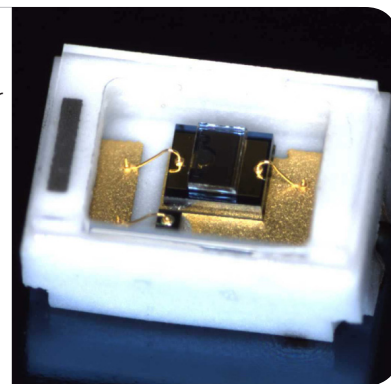
The MTE280SMD-UV UV emitter is a specifically designed for applications requiring high radiant power output and accuracy in a SMD package with a special UV glass lens for optimum life time and device performance. Custom package solutions and sorting are available.

FEATURES

- > 3.0x2.0x1.45 Ceramic SMD
- > High Reliability
- > Wide Viewing Angle

APPLICATIONS

- > UV Curing
- > Light Therapy
- > Drug Discovery / Optical Sensor



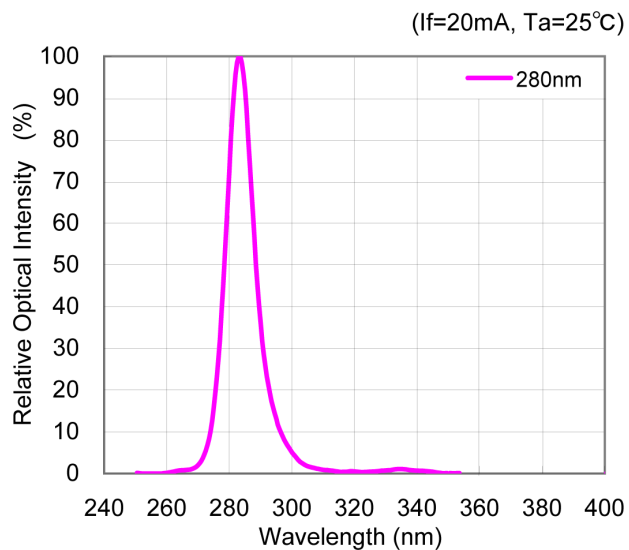
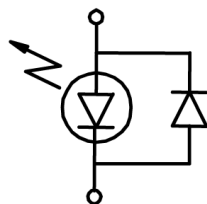
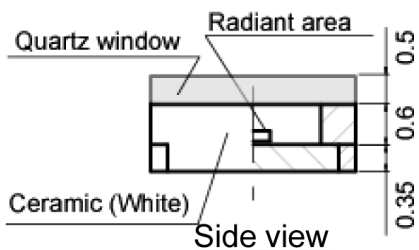
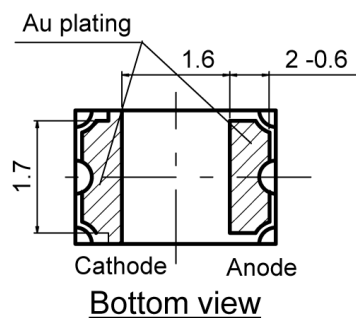
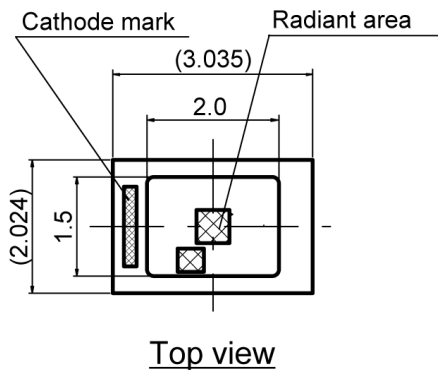
Absolute Maximum Ratings (Ta=25°C)



ITEMS	SYMBOL	RATINGS	UNIT
Forward Current	IF	40	mA
Operating Temperature	Topr	-20 ~ +80	°C
Storage Temperature	Tstg	-30 ~ +85	°C

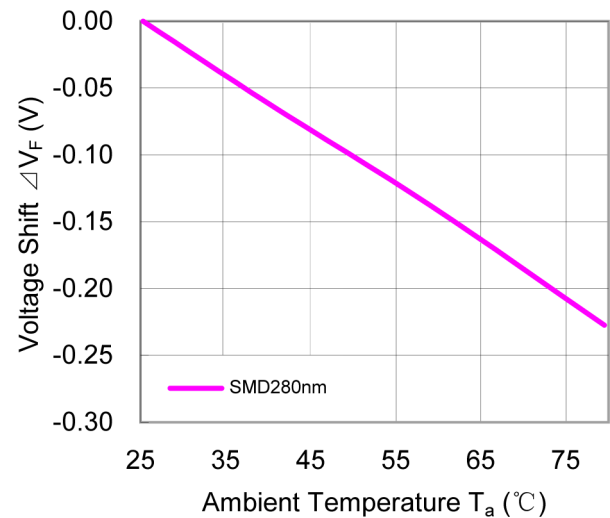
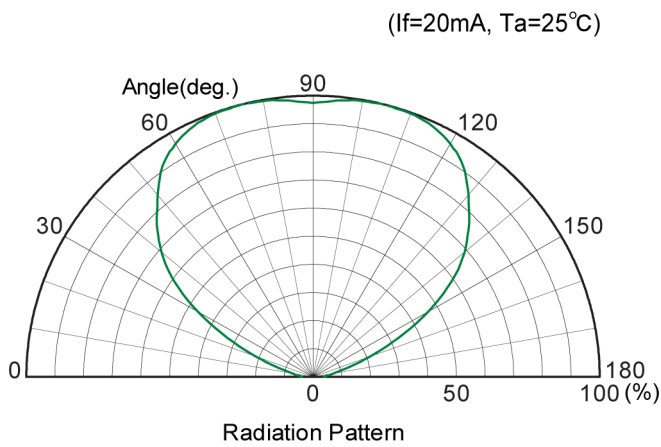
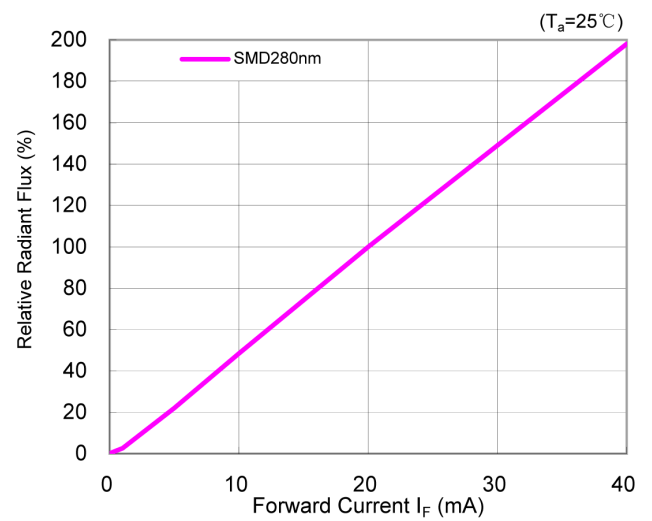
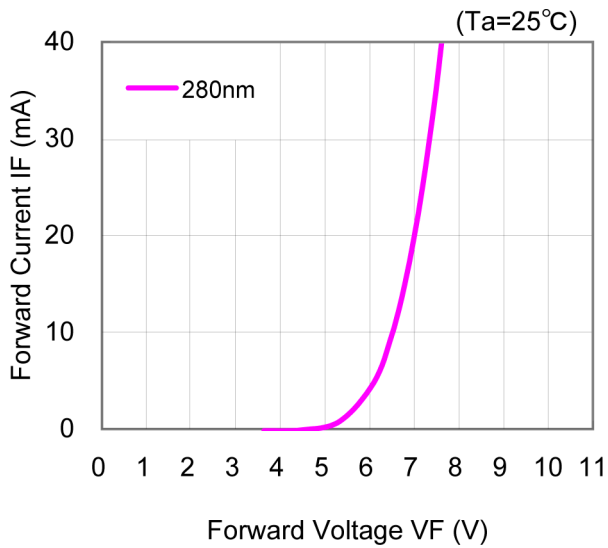
Electrical & Optical Characteristics (Ta = 25°C)

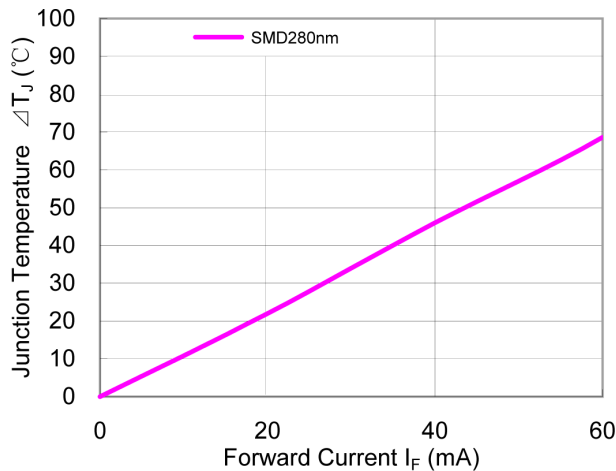
ITEMS	SYMBOL	CONDITIONS	MIN.	TYP	MAX.	UNIT
Peak Wavelength	λ_p	IF=20mA	270	280	290	nm
Power Output	PO	IF=20mA	--	1.2	--	mW
Spectral Line Half Width	$\Delta\lambda$	IF=20mA	--	11	--	nm
Forward Voltage	VF	IF=20mA	--	7	--	V
Viewing Angle	$2\theta_{1/2}$	IF=20mA	--	115	--	deg



Unit: mm

2016-08-23





CAUTION

1. LEDs emit very strong UV radiation during operation.
2. Don't look directly into the LED light when in operation as UV radiation can harm your eyes.
3. To prevent even inadequate exposure, wear protective eyewear.
4. If LEDs are embedded in devices, please indicate warning labels against the UV LED used.
5. Avoid prolonged exposure to skin or other tissue during operation.
6. Keep out of reach of children.
7. Take appropriate precautions around pets and other living organisms to avoid UV exposure.
8. Specification and dimension are subject to change without notice.

Soldering Conditions:

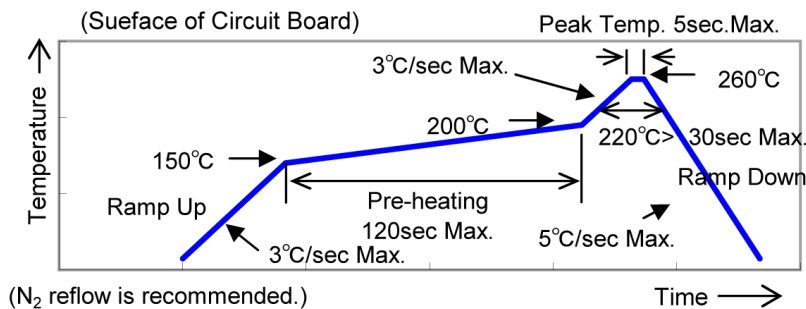
(1) Reflow Soldering

- a. Please implement the following temperature profile.
- b. Please do not handle the product until it has returned to ambient temperature.

(2) Hand Soldering

- a. Soldering tip temperature must be under 320°C.
- b. Soldering must be done within 3 seconds each.
- c. When soldering, do not add pressure to the resin portion.
- d. Please do not handle the product until it has returned to ambient temperature.

Reflow soldering profile



Recommended solder pad

