



LEDTECH ELECTRONICS CORP.

(Zone 22) North Guiyuan Rd, West Jixi Rd,
Duanzhou District, Zhaoqing City, Guangdong
Province, P. R. China
TEL:86-758-2875541,2870651,2877464,2876185,2877017
FAX:86-758-2878014
[Http://www.ledtech.com.tw](http://www.ledtech.com.tw)

SPECIFICATION

PART NO. : MT365-G24002

3.9mm ROUND LED



Approved by

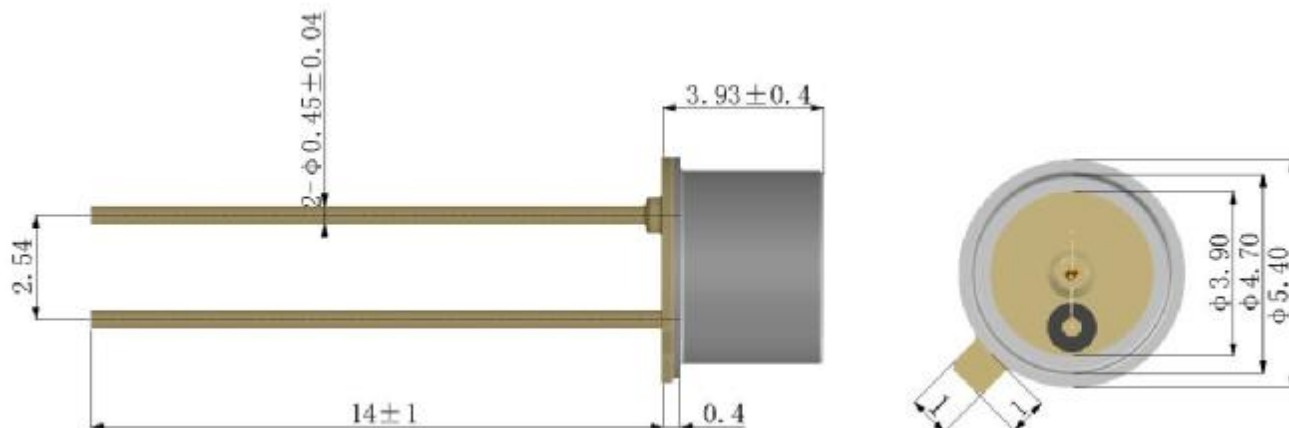
Checked by

Prepared by

Jason

Yang /Lian

Min Bao

Outline dimensions


1	LD+&GND	LD Output positive Ground pin	
2	LD-	LD Output negative	

Notes:

1. All dimensions are in mm.
2. The specifications, characteristics and technical data described in the datasheet are subject to change without notice.
3. Tolerance is ± 0.25 mm unless otherwise noted.

**MT365-G24002**

3.9mm ROUND LED

Absolute Maximum Ratings at Ta=25°C

Parameter	Symbol	Rating	Unit
Reverse Voltage	V _R	≤5	V
Operating Temperature Range	T _{opr}	+5 to +35	°C
Storage Temperature Range	T _{stg}	-20 to +65	°C

Electrical and Optical Characteristics:

Parameter	Symbol	Condition	Min.	Typ.	Max.	Unit
Radiant Flux	Φ _e	I _f =20mA	3.4		4.8	mW
Forward Voltage	V _f	I _f =20mA	2.8		3.8	V
Peak Wavelength	λ _p	I _f =20mA		365		nm
Spectrum Line Halfwidth	Δλ	I _f =20mA		12		nm