

Peak Emission Wavelength: 560nm, 585nm, 635nm, 660nm

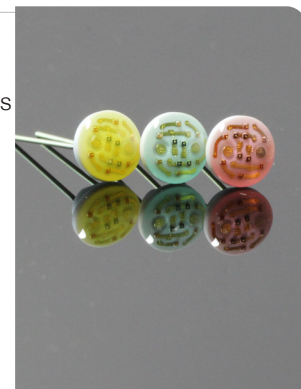
The MT101NP-XXX is a high reliability multi-chip emitter designed for applications requiring various wavelengths or more than one die in a single package. These devices can be custom sorted for specific power output.

FEATURES

- > High Luminance / High Reliability
- > Wide Radiation Pattern / White Ceramic Base
- > Low Power Consumption
- > Alternate Electrical Configurations

APPLICATIONS

- > Currency Validation
- > Medical / Biofluorescence
- > General Indication
- > Push Button Backlight



Absolute Maximum Ratings (Ta=25°C)

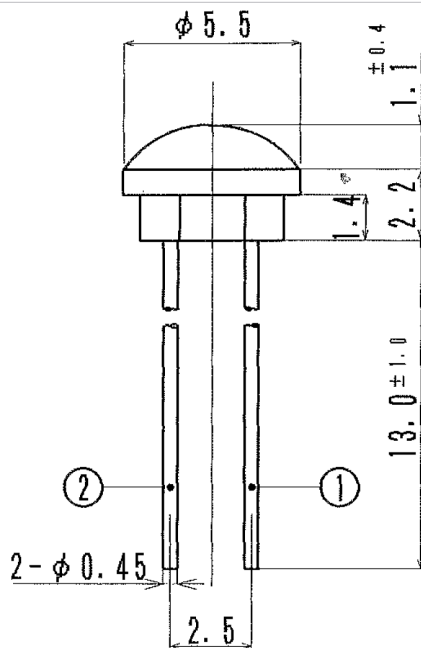
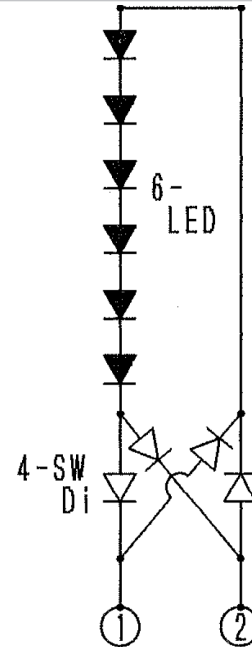
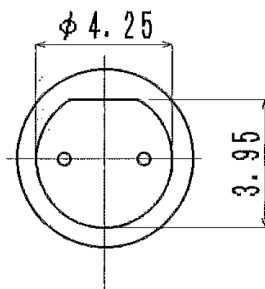


| ITEMS | SYMBOL | RATINGS | UNIT |
|------------------------------|--------|------------|------|
| Forward Current | IF | 15 | mA |
| Power Dissipation | PD | 240 | mW |
| Operating Temperature Range | Topr | -20 ~ +60 | °C |
| Storage Temperature Range | Tstg | -30 ~ +100 | °C |
| Lead Soldering Temperature*1 | Tls | 260 | °C |

*1: Time 5 Sec max, Position: Up to 3mm from the body.

Electrical & Optical Characteristics (Ta = 25°C)

| PART NO. | Material | IV(typ) | VF(typ) | VF(max) | λ_p (typ) | $\Delta\lambda$ (typ) | Circuit |
|-------------|----------|----------|----------|----------|-------------------|-----------------------|---------|
| | | @IF=10MA | @IF=10MA | @IF=10MA | @IF=10MA | @IF=10MA | |
| MT101NP-UG | GaP | 50mcd | 13.3V | 16.4V | 565nm | 30nm | Bipolar |
| MT101NP-YL | GaAsP | 20mcd | 12.8V | 15.8V | 585nm | 30nm | Bipolar |
| MT101NP-HR | GaAsP | 25mcd | 12.3V | 15.2V | 635nm | 35nm | Bipolar |
| MT101NP-URD | GaAlAs | 100mcd | 11.8V | 14.6V | 660nm | 20nm | Bipolar |



Unit: mm, Tolerance: ±0.2

The information contained herein is subject to change without notice.

2013-06-05