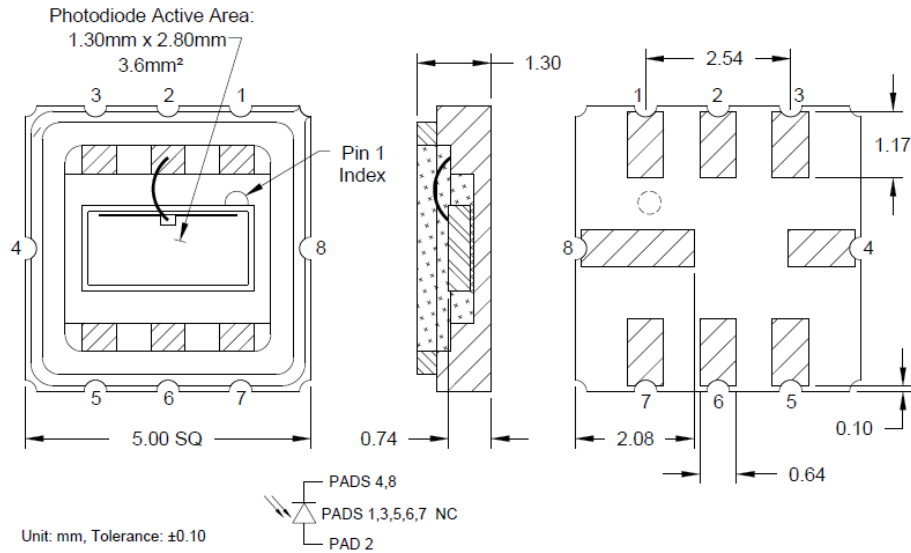
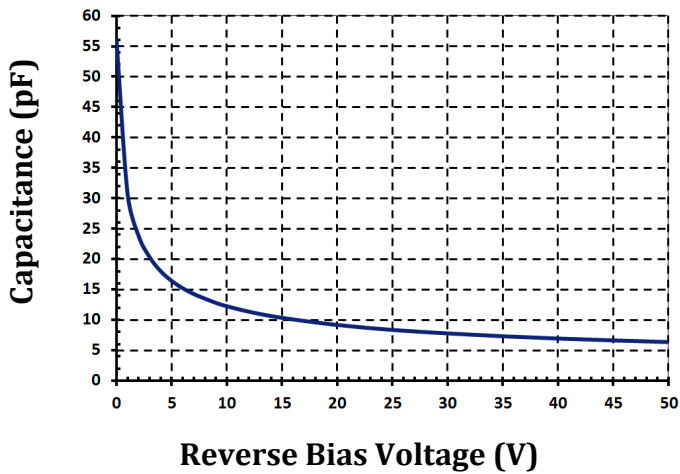


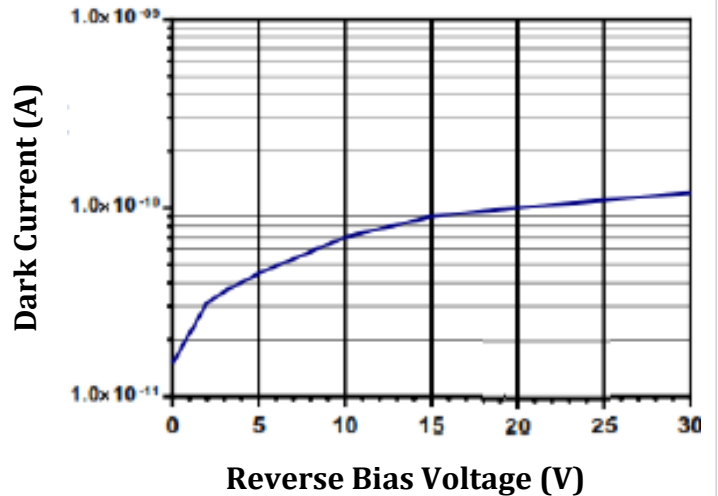
SMD Package Dimensions (8 Pad)



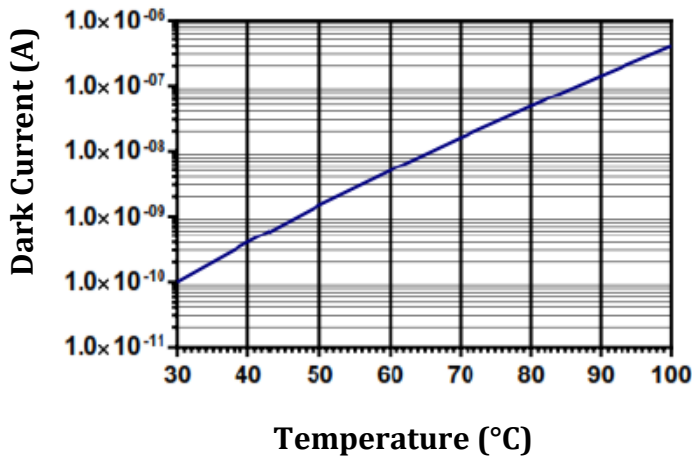
Capacitance vs Reverse Bias



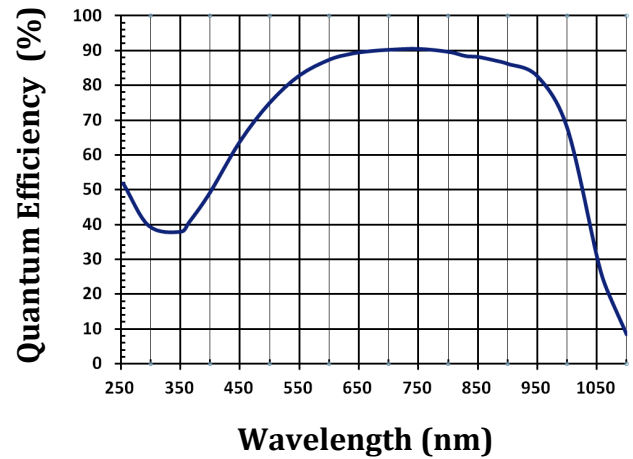
Dark Current vs Reverse Bias (23°C)



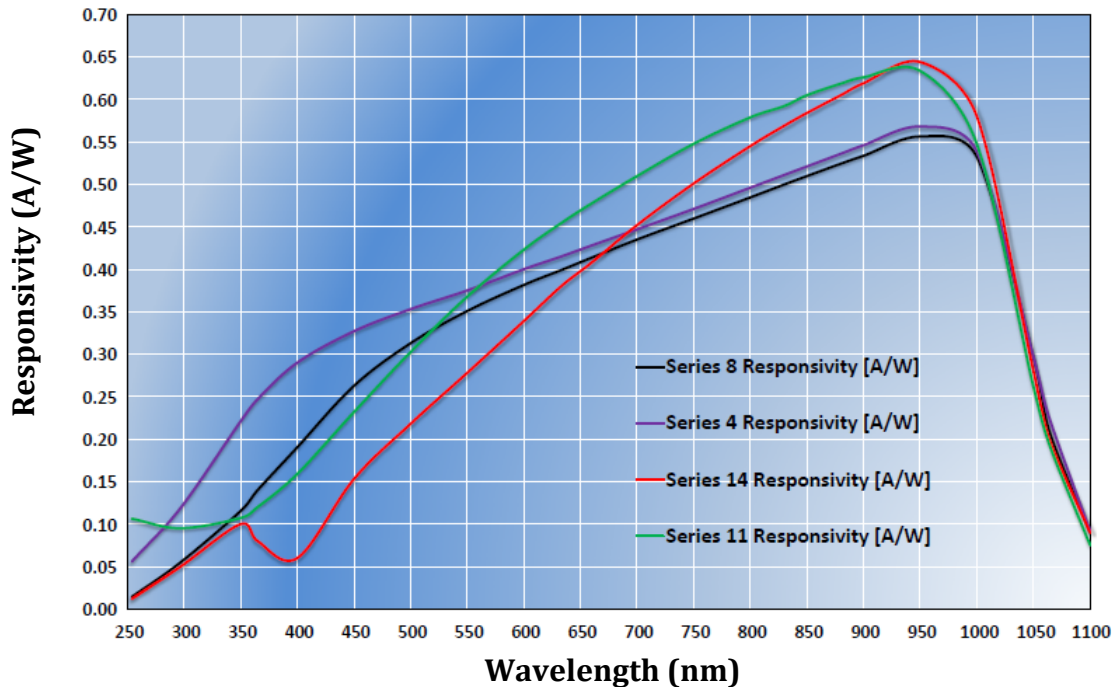
Dark Current vs Temperature ($V_r=10V$)



Series 11 Quantum Efficiency (23°C)



Photodiode Responsivity by Series



The information contained herein is subject to change without notice.

2019-04